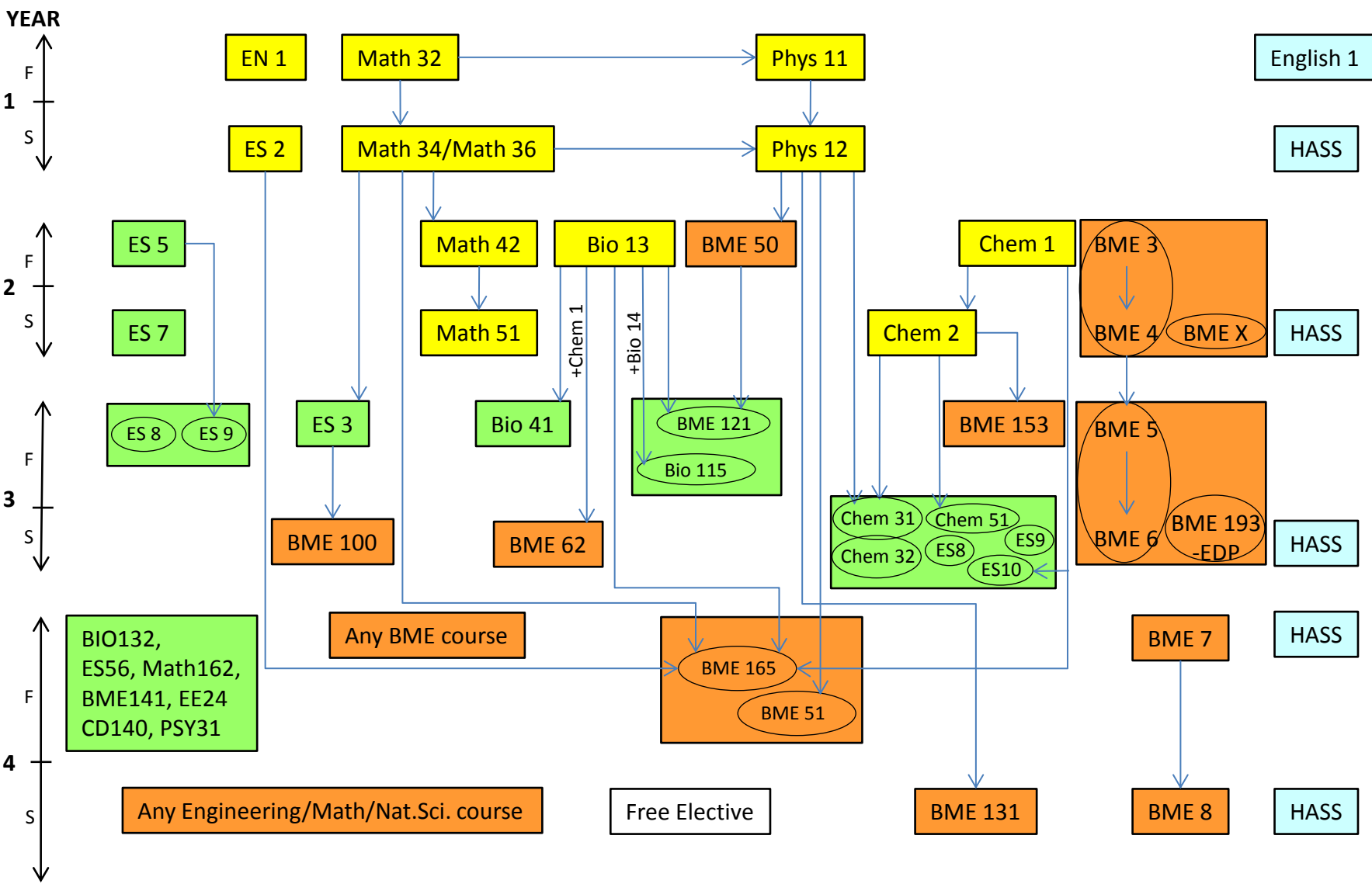


# BSBME Program (38 credits)



**Legend:** Introductory (11)    Foundation (8)    Concentration (12)    Humanities/Soc.Sci./Arts (6)    Free elective (1)